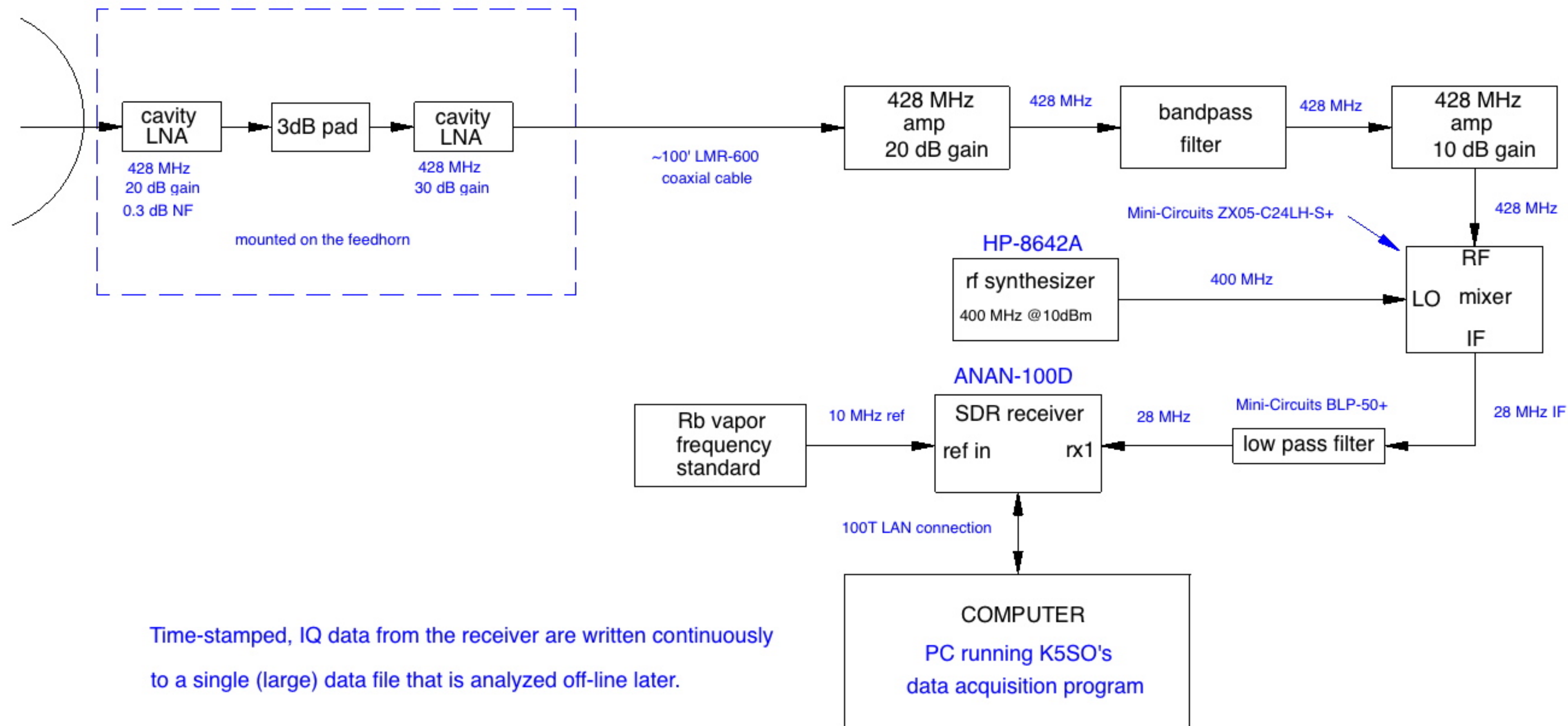


K5SO RADIO TELESCOPE - PULSAR OBSERVATION CONFIGURATION

8.6m dia dish
428 MHz linear-polarization feedhorn



13 Apr 2015